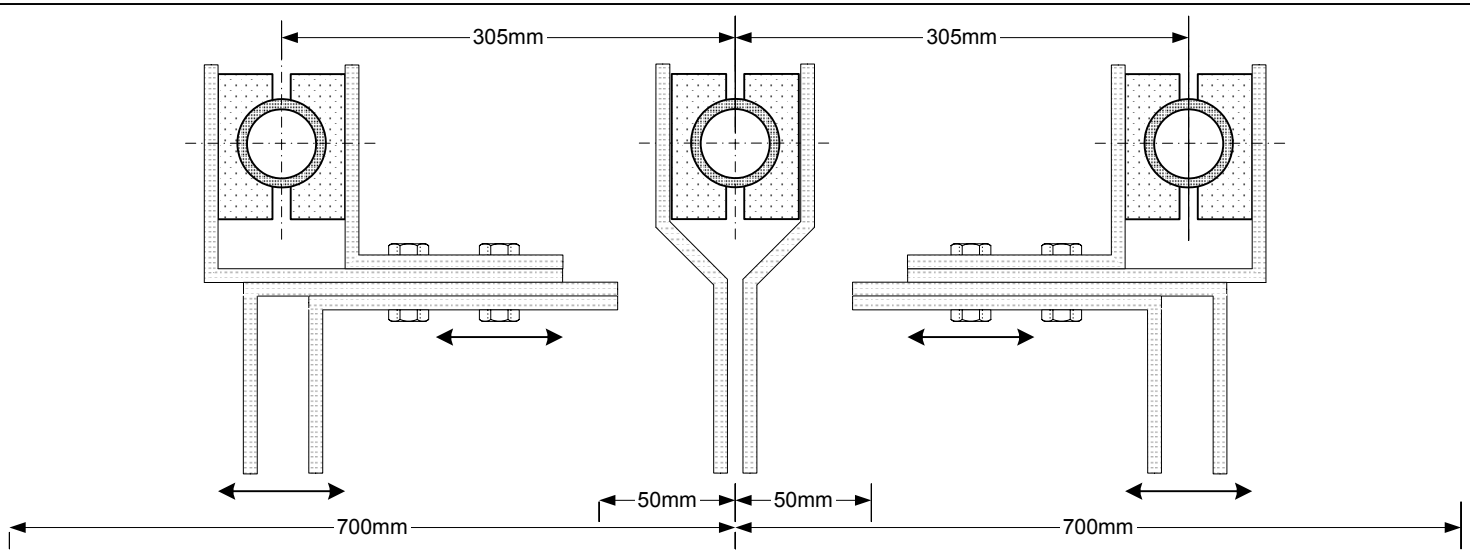
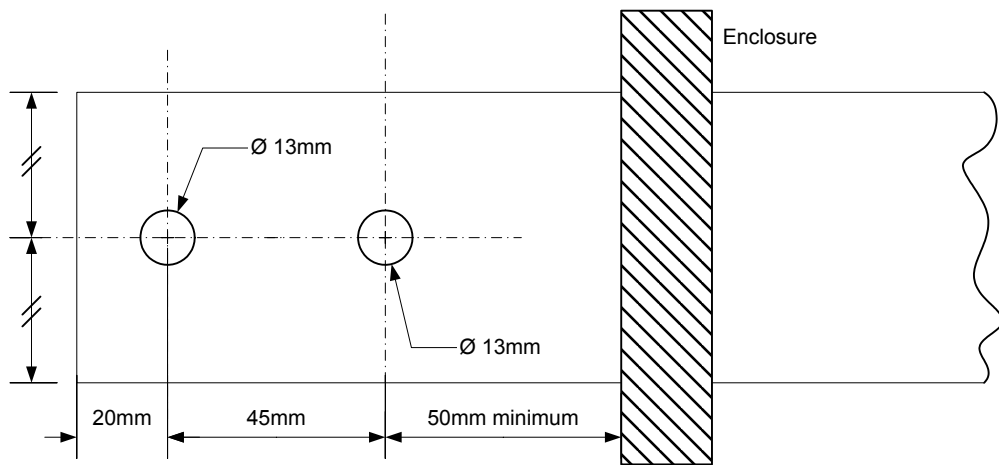


Figure 1 - Physical Arrangement of LV Test Cells



Distance between centres: Minimum of 50mm to a maximum of 700mm

Figure 2 - Connections in the Vertical Plane



Preferred busbar sizes:

Single Bar: 75 - 100 x 6.3 or 10mm copper

Multiple Bars: 75 - 100 x 6.3 or 10mm copper, 6.3 or 10mm apart

Figure 3 - Drilling Details of Busbars

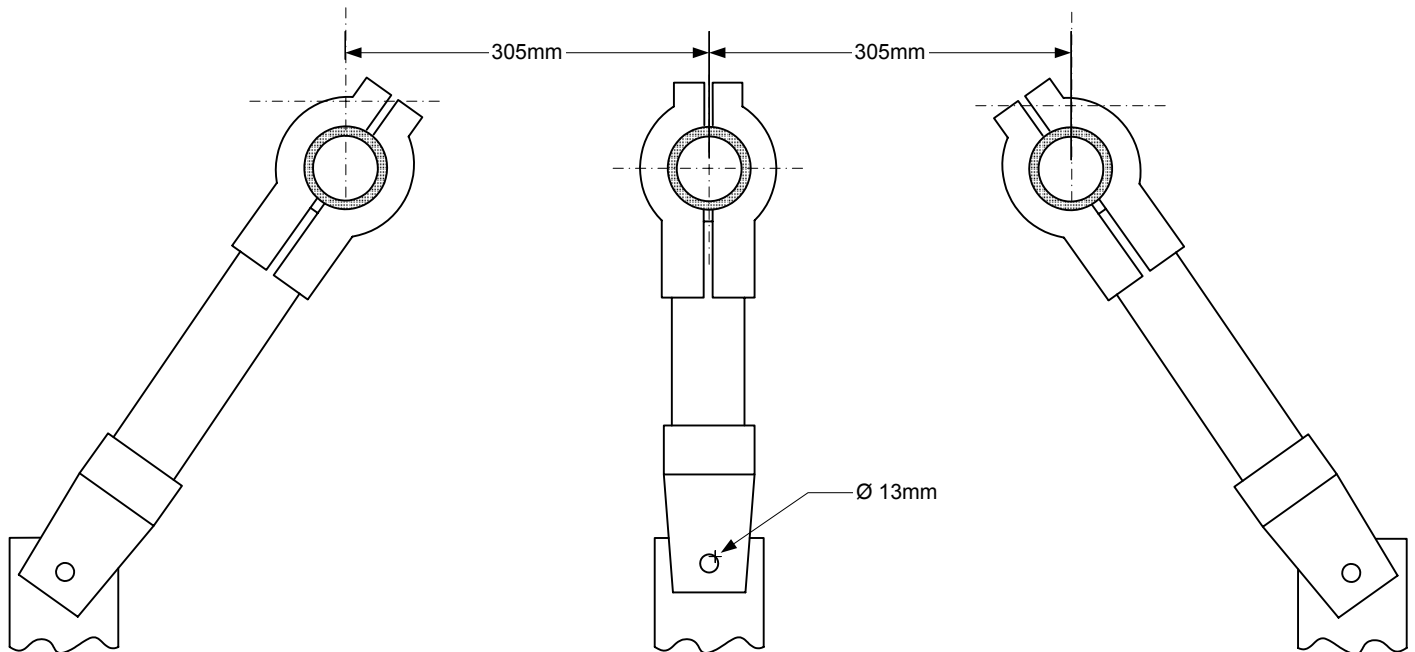


Figure 4 - Connections in the Horizontal Plane

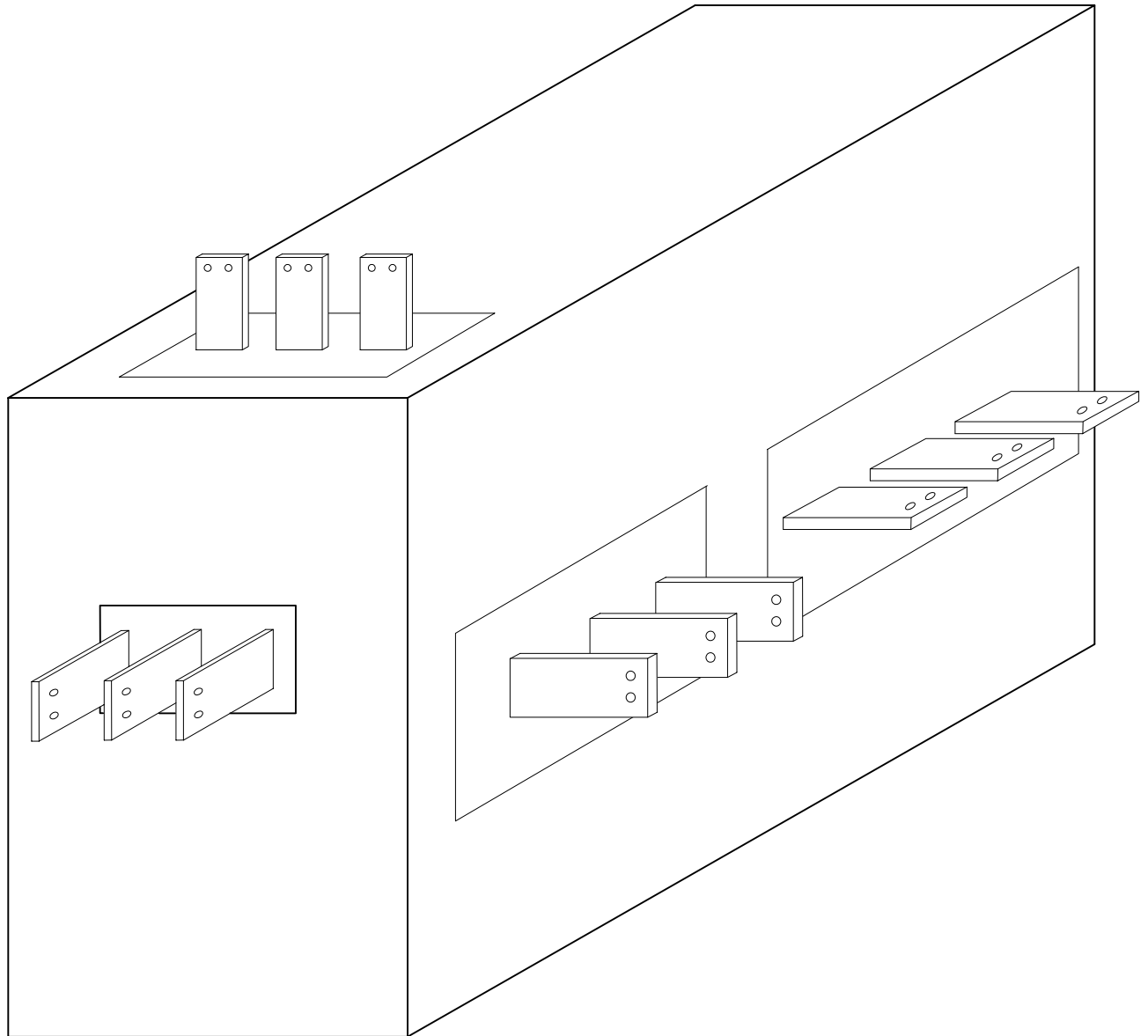


**Testing &
Certification
Australia**

LC W14 - SHORT-CIRCUIT TESTING OF LV ASSEMBLIES

R1	Initial Drawing - Page 2 of 3	9/9/04	APPROVED
----	-------------------------------	--------	----------

Electronically controlled document printed on 17/9/2004. Please confirm issue date on system before use.



Options for projection from assembly - approximately 150mm

